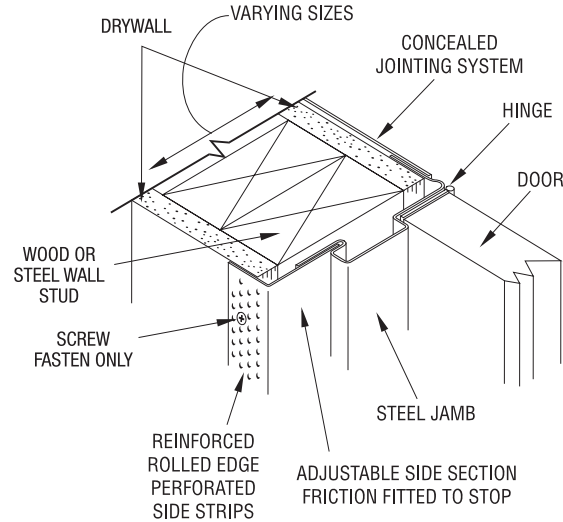
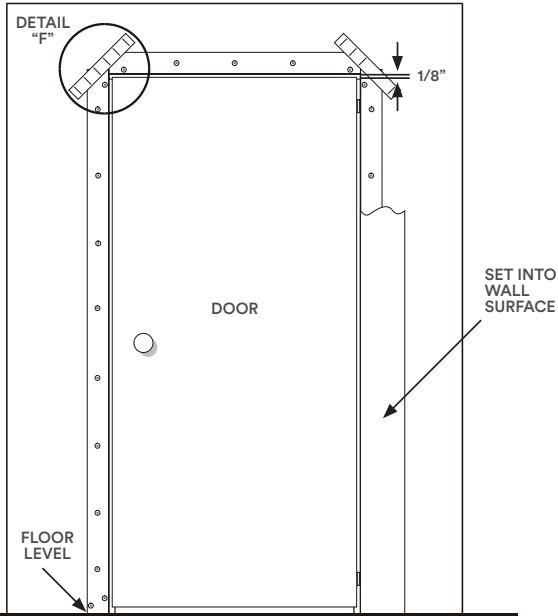
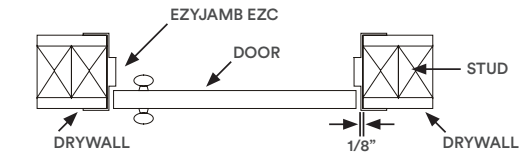
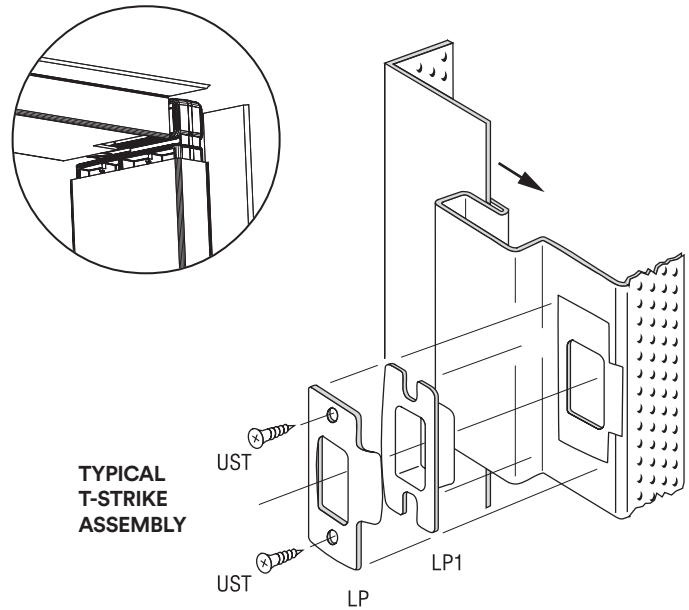


Installation Detail



Typical Corner Assembly



Fire Rated for up to 90 minutes

Version

20 Gauge Trimless Door Frame
(For 1-3/8" & 1-3/4" Doors)

Strike Height

Standard Strike Height from
bottom of frame to centreline
For 6'8" frame 36"
For 7'0" and 8'0" frames - 38"

Specifications

20 Gauge galvalume steel door frame
adjustable for wall thicknesses 3-1/2" - 8-7/8"

Hinges Available from Manufacturer

① Invisible Hinges

- RocYork RY-45, RY-50, RY-60, RY-80
- Tectus 340
- Soss 216 & 416

② RocYork Surface Hinges

- All standard hinges are surface applied
- 4" Stainless Steel (630)
 - 4" Satin Chrome (626)
 - 4" Oil Rubbed Bronze (613)

③ RocYork Mortise Hinges

- 4" x 4" Stainless Steel (630)

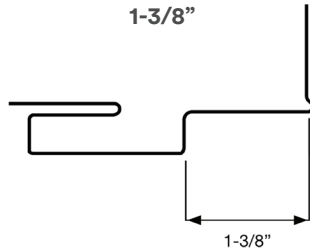
Information contained within this document supersedes all previous versions and is subject to change without notice

A Studco Innovation

For Sales and Technical Inquiries, please contact EZ Concept USA

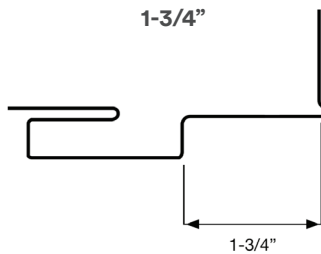
T: 1 888 399 5262 | F: 585.545.3010 | E: sales@ezconcept.com | W: www.ezconcept.com

Preparation Options



Strike Options T-Strike
DeadBolt

Hinge Options Non-Mortise Hinge
RocYork RY-45 / RY-60

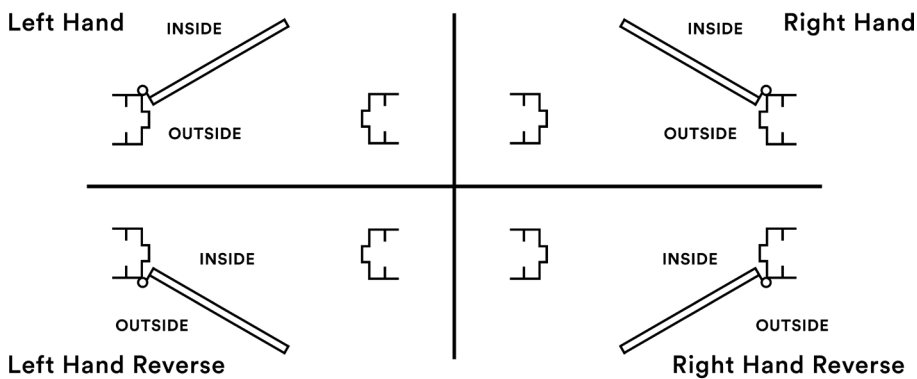


Strike Options T-Strike NoHa
ASA Strike Flushbolt
DeadBolt

Hinge Options 4" Mortise Hinge
RocYork RY-45 / RY-60 / RY-80
Soss 216 / 416

Closer Options Parallel Arm
Reinforcement

North America Door Handing



i Hand all doors by standing outside and facing the door.