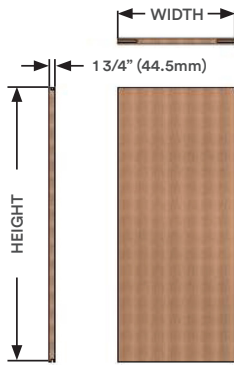


# Installation Instructions

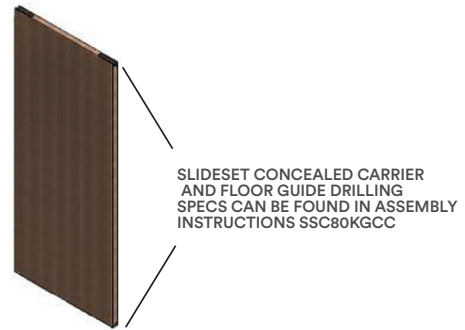
## Step 1

Identify the desired width and height of the door.



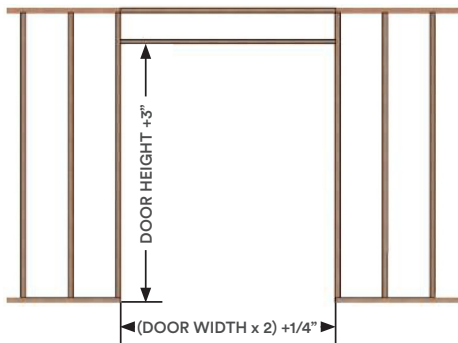
## Step 2

Prepare door for concealed carriers.



## Step 3

Prepare rough opening.



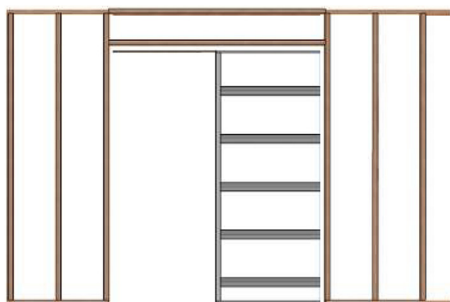
## Step 4

Fasten Track to Split Stud Wall Assembly.



## Step 5

Insert assembly into rough opening. Level, plum, shim, fasten.



## Step 6

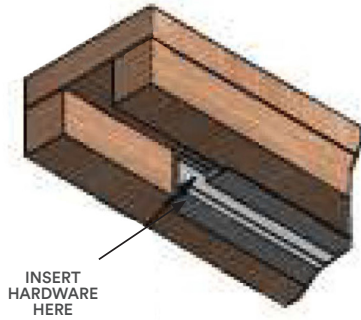
Insert floor guide.



# Installation Instructions

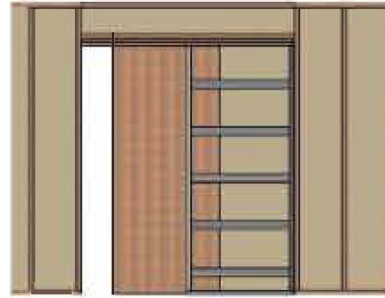
## Step 7

- A. Insert rear stop and slide to rear.
- B. Insert rear carrier and slide to middle.
- C. Insert front carrier.



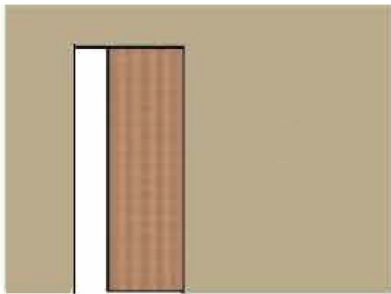
## Step 8

- A. Hang door and slide into pocket.
- B. Insert front stop and slide to the rear a few inches.
- C. Place filler track in gap and fix to the assembly.
- D. Adjust and secure stops.



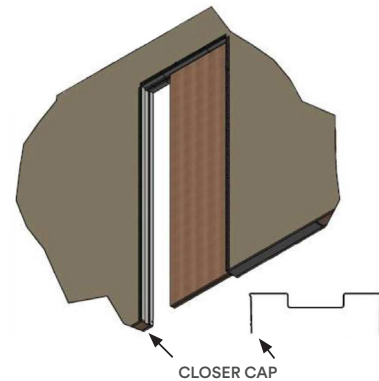
## Step 9

Hang drywall.



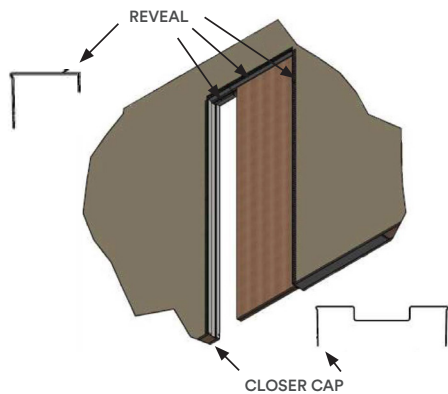
## Step 10

Install Closer Cap.



## Step 11

Install Reveal.



## Step 12

Tape and mud. Prime and paint.

