

 EZCONCEPT

EzyJamb

DRC | Double Rebate Door Frame



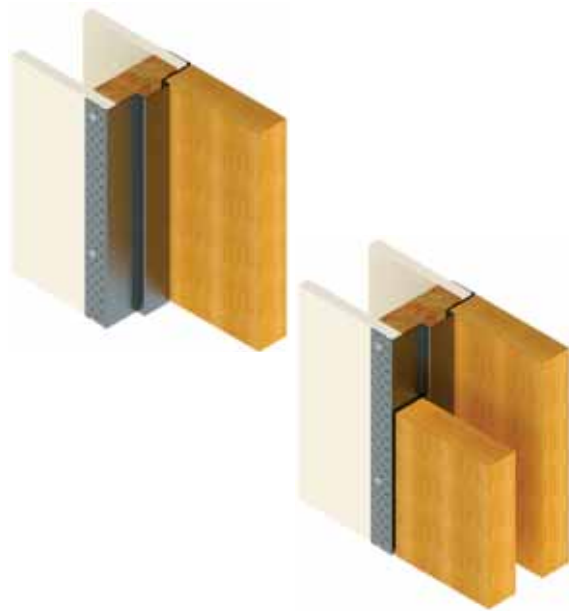


EzyJamb

DRC | Double Rabbet Door Frame

The latest innovation in EzyJamb® Flush Finish Door Jambs, the Double Rabbet EzyJamb® – DRC allows for single or double doors to be hung in the fire-rated Jamb creating a modern look for interconnecting hotel rooms.

This modern approach to hotel door jambs complements discerning hotel interiors where a premium finish is required in all areas.

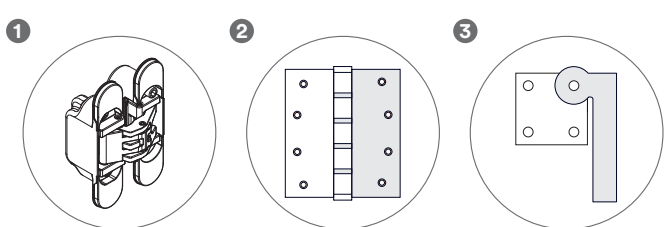


Product Details

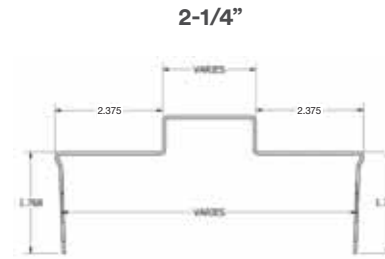
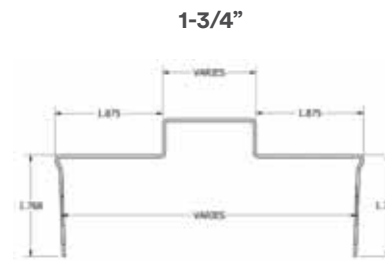
EZYJAMB DRC DOUBLE RABBET DOOR FRAME - FOR 1-3/4 AND 2-1/4 DOORS

Material	18ga Galvanneal		
Max Width	3'-6" (Single)	6-0' (Double)	(Custom sizes available on request)
Max Height	10-0' (Custom sizes available on request)		
Wall Throat	4-1/2" - 9-7/8" in 1/8" increments (For 1-3/4 Doors)		(Custom sizes available on request)
	5" - 1/2" - 9-7/8" in 1/8" increments (For 2-1/4 Doors)		
Fire Rating	Up to 90 minutes		

- Hinge Options
- 1 Concealed Hinges
 - 2 Mortise Hinges
 - 3 Pivot Hinges



Preparation Options



Strike Options	T-Strike ASA Strike DeadBolt HES 8300	Rim Reinforcement No Ha FlushBolt	Pivot Options	Rixson Top Pivot 180 Rixson Intermediate Pivot M19 ABH Top Pivot 018 ABH Intermediate Pivot 019
Hinge Options	4-1/2" Mortise Hinge RocYork RY-60 / RY-80 / RY-120 Soss 218 / 418 Tectus 340 / 527 / 540		Closer Options	LCN 3130 Dorma ITS96 RocYork RYCC60950 PA Reinforcement RocYork RYSC801100
Power Switch	EPT Power Transfer Door Position Switch		Holders and Stops	GJ 100 & 400 Series
Strike Options	T-Strike ASA Strike DeadBolt HES 8300	Rim Reinforcement No Ha FlushBolt	Pivot Options	Rixson Top Pivot 180 Rixson Intermediate Pivot M19 ABH Top Pivot 018 ABH Intermediate Pivot 019
Hinge Options	4-1/2" Mortise Hinge RocYork RY-60 / RY-80 / RY-120 Soss 218 / 418 Tectus 340 / 527 / 540		Closer Options	LCN 3130 Dorma ITS96 RocYork RYCC60950 PA Reinforcement RocYork RYSC801100
Power Switch	EPT Power Transfer Door Position Switch		Holders and Stops	GJ 100 & 400 Series

Specification Details

- Frame Type
- Door Thickness
- Frame Width
- Frame Height
- Finished Wall Thickness
- Fire Rating
- Strike Type
- Strike Height
- Frame Handing
- Hinge Type
- Hinge Quantity

EX. DRC - 1.75 - 3-0' - 7-0' - 4-7/8 - 20MIN - ASA-38" - RH - RY80 - 3

Availability

- All EzyJamb, CavKit and SlideSet products are made to order.
- Lead times apply to all EzyJamb, CavKit and SlideSet orders. Always confirm exact lead time with EZ Concept prior to placing order.
- All orders are accepted by EZ Concept on a FIFO basis (first in, first out). For urgent orders, please refer to the point below.

Floor to Ceiling Doors

- Floors to ceiling doors require no header jamb as the door extends the total height of the wall, when framing for this type of application allow the ceiling framing and drywall to carry on through to the adjacent space.

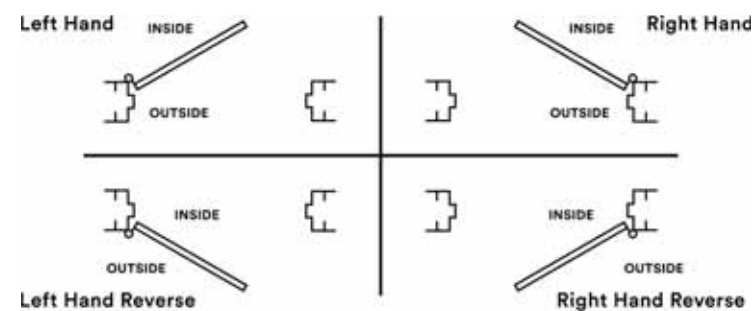
Expedited Orders

- For urgent orders, manufacturing processes can be expedited on request.
- Expedition of EzyJamb, CavKit and SlideSet orders is not always possible and is subject to operational requirements. Always confirm exact lead time with EZ Concept prior to placing order.

Custom Door Sizes

- Custom size EzyJamb, CavKit and SlideSet products are available on request. Longer leader times and additional charges may apply for custom sizes. Custom latch plate punching is available on request.

North America Door Handing



i Hand all doors by standing outside and facing the door.

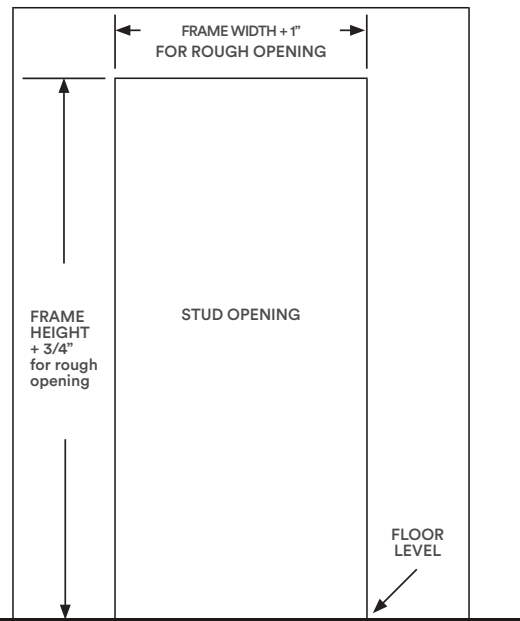
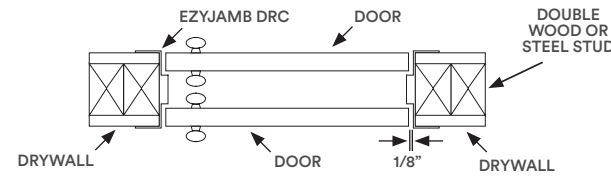
EzyJamb | DRC Double Rabbet Door Frame
Installation Instructions

Step 1

Ensure that the stud opening is square and level and is the correct size.

Make sure the rough opening has double studs, the manufacturer strongly recommends wood studs or a minimum 18 gauge .030 metal studs on both sides of the opening. Studco recommends double studs for this installation.

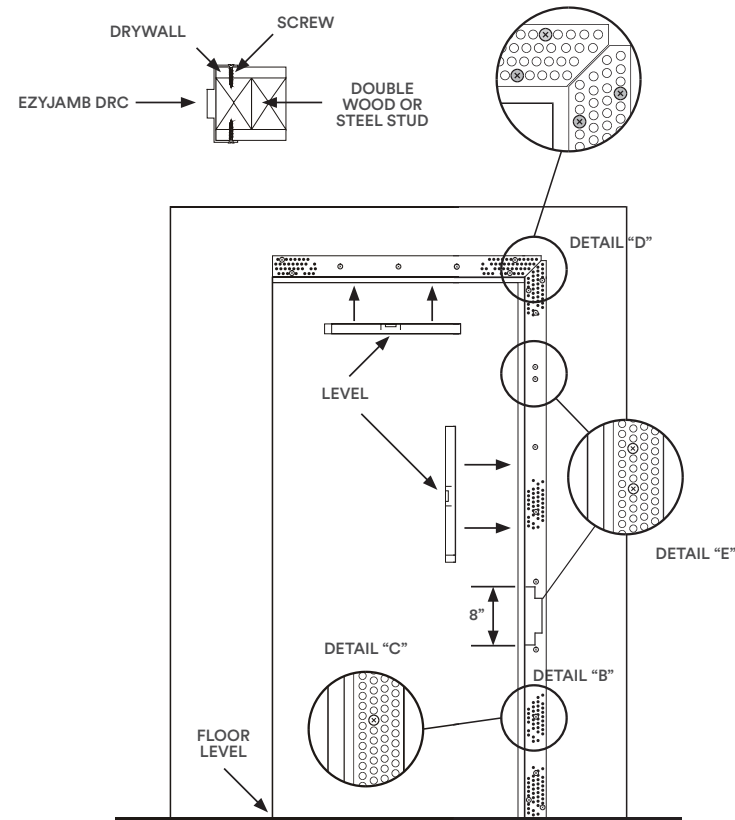
i When using concealed hinges, the stud must be notched at each hinge location to ensure proper fitment.



Step 2

Fasten hinge side first, making sure jamb is level and as tight against stud opening as possible. Then screw at 8" centers up stile, screwing back through drywall into stud jamb. See *Detail 'B'* and *'C'*.

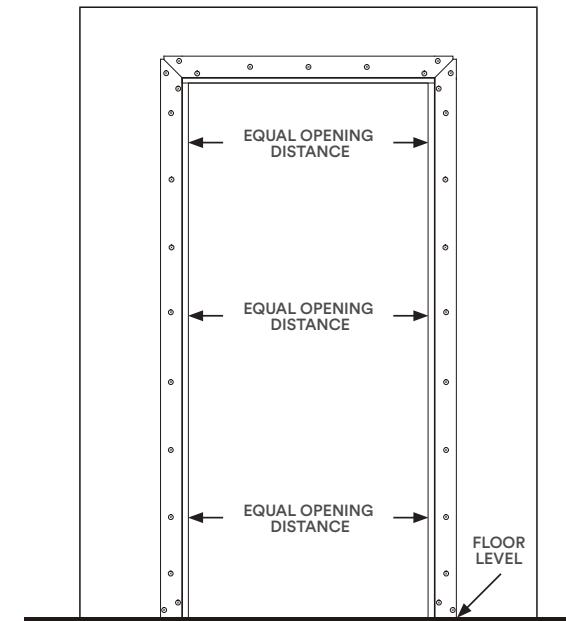
Double screw all ends as *Detail D*, and beside hinge position - both above and below hinge if using concealed hinges as *Detail E*.



EzyJamb | DRC Double Rabbet Door Frame
Installation Instructions

Step 3

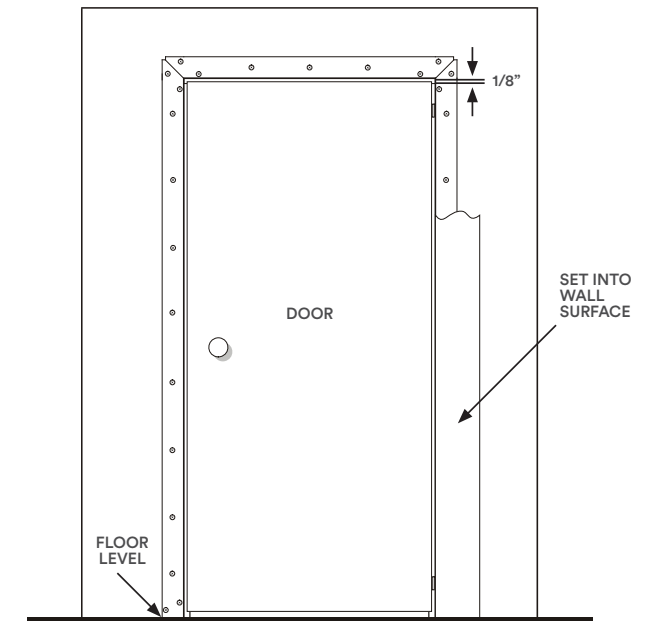
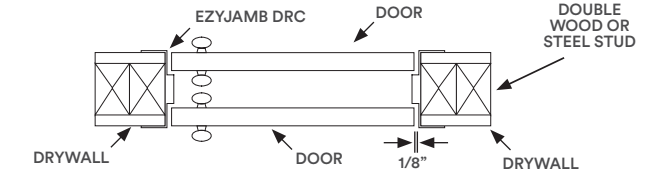
Fasten the final vertical section (strike jamb) below the head section. Ensure that the spacing between the two vertical sections are spaced evenly at the required distance.



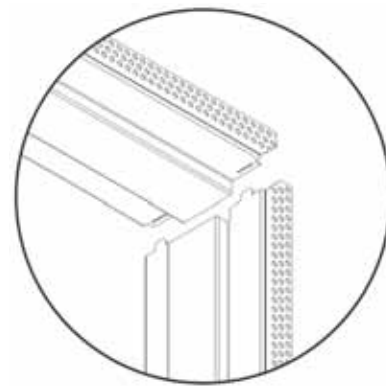
Step 4

Ensure the perforated side strips sit flat against the drywall to enable the jamb sections to be easily set into the wall surface. Finish the jamb with drywall compound.

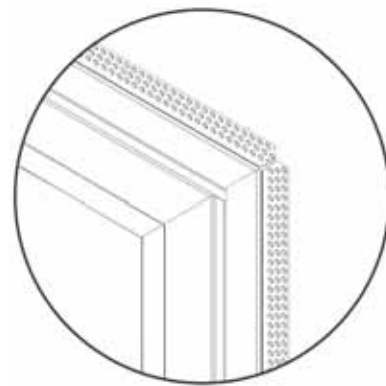
Hang the door in position leaving 1/8" clearance from the top and the hinged side using the EzyJamb Standard or Invisible Hinges. Install the striker plate into position to align with the latch plate punching.



Step 2A | Head Installation



Locate fixing tabs to header.



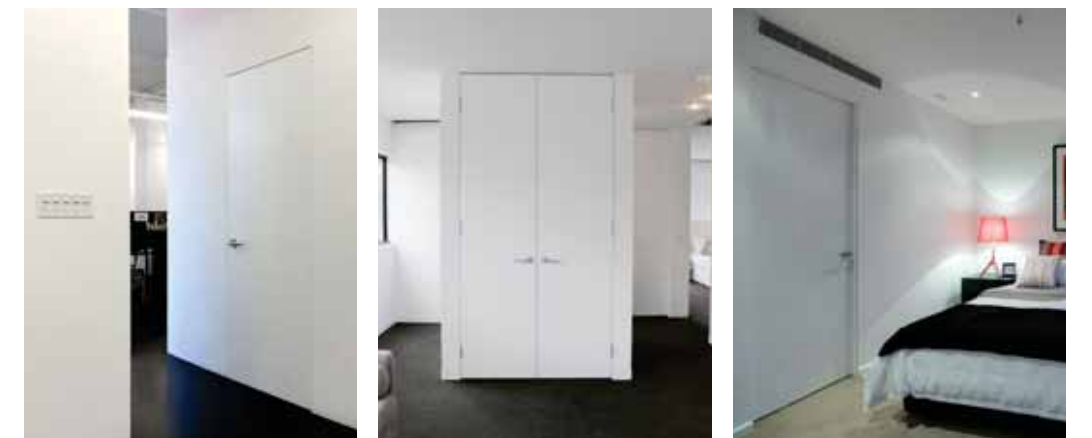
Corner Detail Completed

Completed Installation

The completed jamb is flush finished and can be painted in with the whole wall area to fully conceal any fixing, achieving simple clean lines around the door face.

For further information or assistance in installation of EzyJamb products, please visit:

www.ezconcept.com/installation





For Sales and Technical Enquiries, please contact EZ Concept USA.

T: 1 888 399 5262
W: www.ezconcept.com
E: sales@ezconcept.com

Head Office - Rochester
1700 Boulter Industrial Parkway,
Webster, NY 14580

Los Angeles Office
5450 W 83rd Street
Los Angeles, CA 90045

