

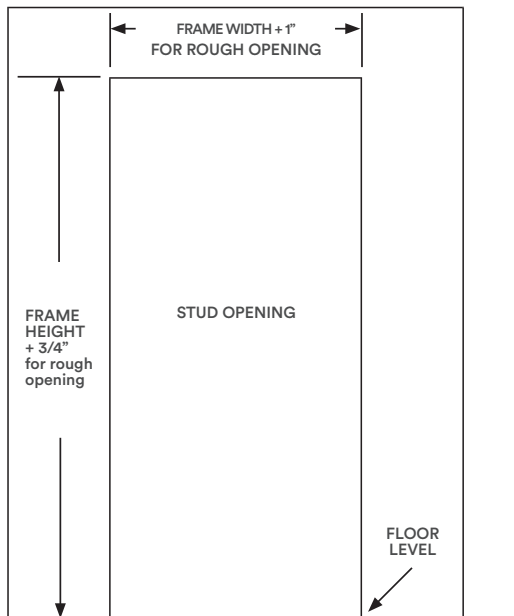
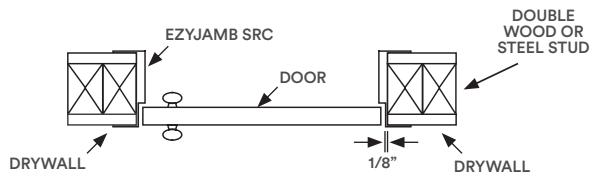
EzyJamb | SRC Single Rabbet Door Frame
Installation Instructions

Step 1

Ensure that the stud opening is square and level and is the correct size.

Make sure the rough opening has double studs, the manufacturer strongly recommends wood studs or a minimum 20 gauge .030 metal studs on both sides of the opening. Studco recommends double studs for this installation.

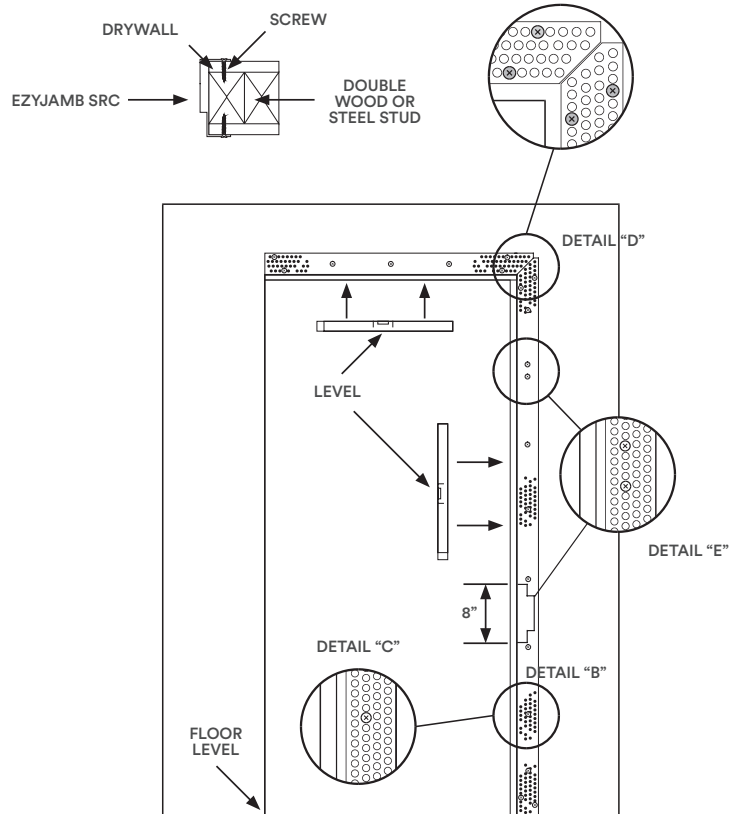
i When using concealed hinges, the stud must be **notched** at each hinge location to ensure proper fitment.



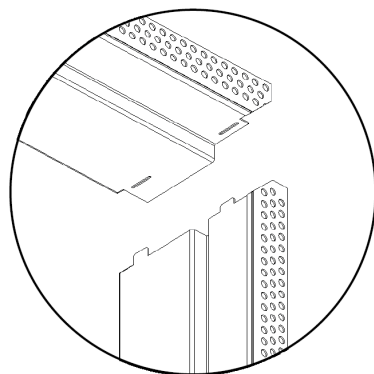
Step 2

Fasten hinge side first, making sure jamb is level and as tight against stud opening as possible. Then screw at 8" centers up stile, screwing back through drywall into stud jamb. See *Detail 'B'* and *'C'*.

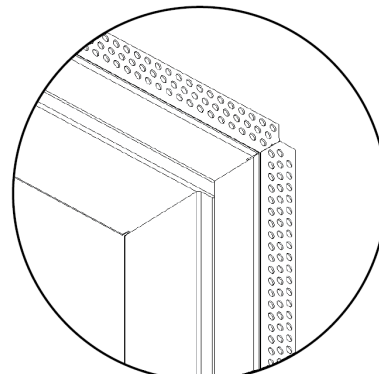
Double screw all ends as *Detail D*. and beside hinge position - both above and below hinge if using concealed hinges as *Detail E*.



Step 2A | Head Installation



Locate fixing tabs to header.

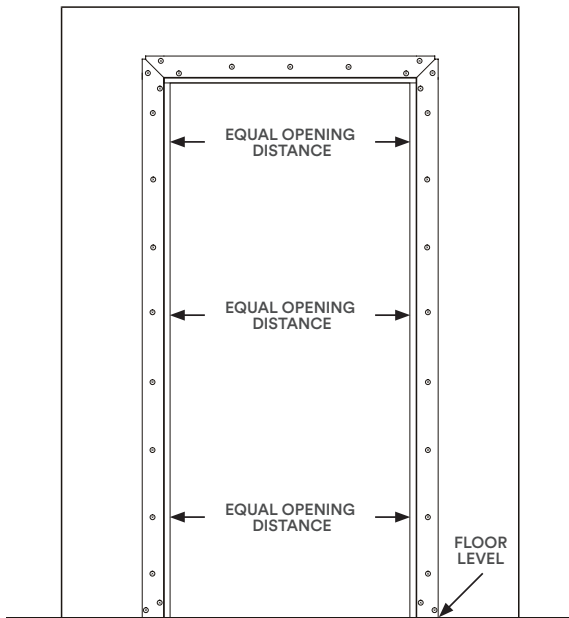


Corner Detail Completed

Installation Instructions

Step 3

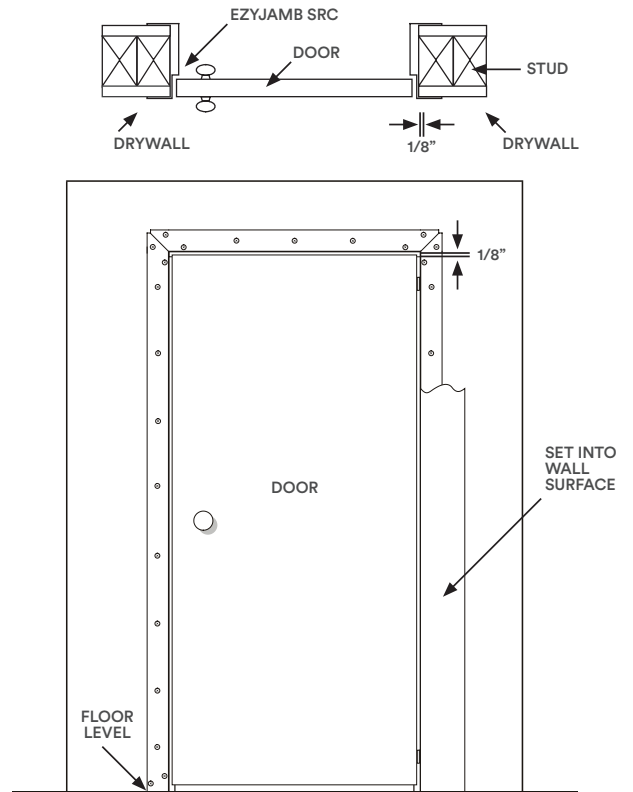
Fasten the final vertical section (strike jamb) below the head section. Ensure that the spacing between the two vertical sections are spaced evenly at the required distance.



Step 4

Ensure the perforated side strips sit flat against the drywall to enable the jamb sections to be easily set into the wall surface. Finish the jamb with drywall compound.

Hang the door in position leaving 1/8" clearance from the top and the hinged side using the EzyJamb Standard or Invisible Hinges. Install the striker plate into position to align with the latch plate punching.



Completed Installation

The completed jamb is flush finished and can be painted in with the whole wall area to fully conceal any fixing, achieving simple clean lines around the door face.

For further information or assistance in installation of EzyJamb products, please visit:

www.ezconcept.com/installation

